

- 1 Driver's Side Door
- 2 Under Driver's Seat
- 3 Glove Box
- 4 Passenger Door "B" Pillar
- 5 Spare Tire Cover/
Spare Tire Well
- 6 Trunk Floor-Under Carpet
- 7 Trunk Lid/
Rear Compartment Lid
- 8 Right Side Bottom Firewall
- 9 Left or Right Fender
Extension

Chrysler/Dodge/Jeep/Ram

All Models 1

Ford/Lincoln

All Models 1

Buick

All Models 3

Cadillac

Escalade 3

SRX 7

All Other Models 5

Chevrolet

Camaro 6

Express 2, 4

Impala 1

Malibu 5

All Other Models 3

GMC

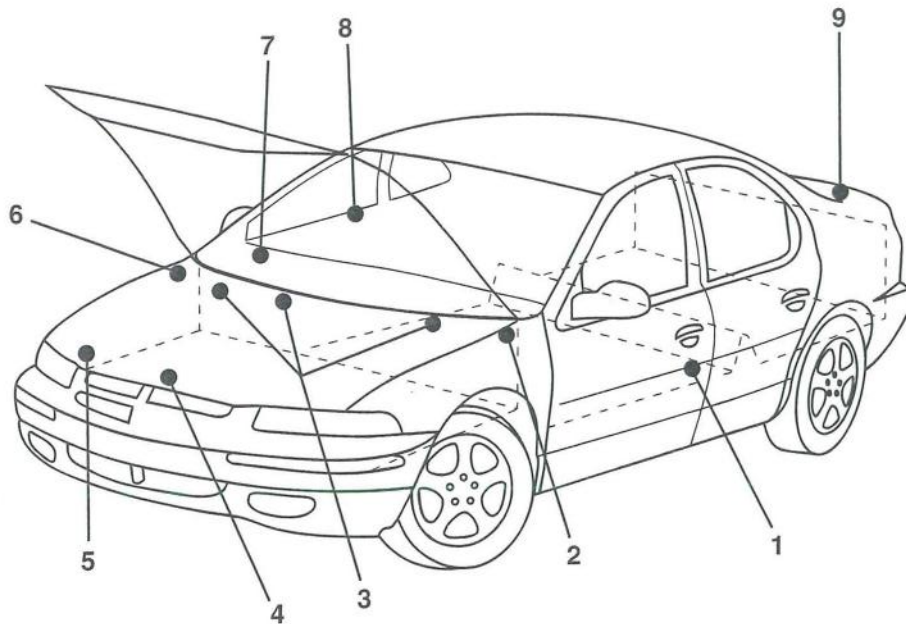
Savana 2, 4

All Other Models 3

International Truck

All Models 8, 9

2013 ASIAN & EUROPEAN VEHICLES



- 1 Driver's Side Door / B Pillar
- 2 Driver's Side Strut Tower
- 3 Rear Wall Engine Compartment
- 4 Core Support-underneath cover panel by radiator
- 5 Passenger Side Shock Tower
- 6 Passenger Side Strut Tower
- 7 Glove Box
- 8 Passenger Side Door / Rear Face
- 9 Trunk Lid / Trunk Area

Acura	1			
Aston Martin	4			
Audi	9			
BMW	2	6		
Ferrari	Front Trunk			
Honda	1			
Hyundai	1			
Infiniti	1	3		
Jaguar	1			
Kia	1			
Land Rover	1	5	3	
Lexus	1			
Maserati	3			
Mazda	1			
Mercedes Benz	1			
Mini	2	6		
Mitsubishi	1	3		
Nissan	1	3		
Porsche	1	3		
Scion	1			
Smart	1	9		
Subaru	1	2	6	8
Suzuki	1	3	9	
Toyota	1			
Volvo	1	3	8	
Volkswagen	9			